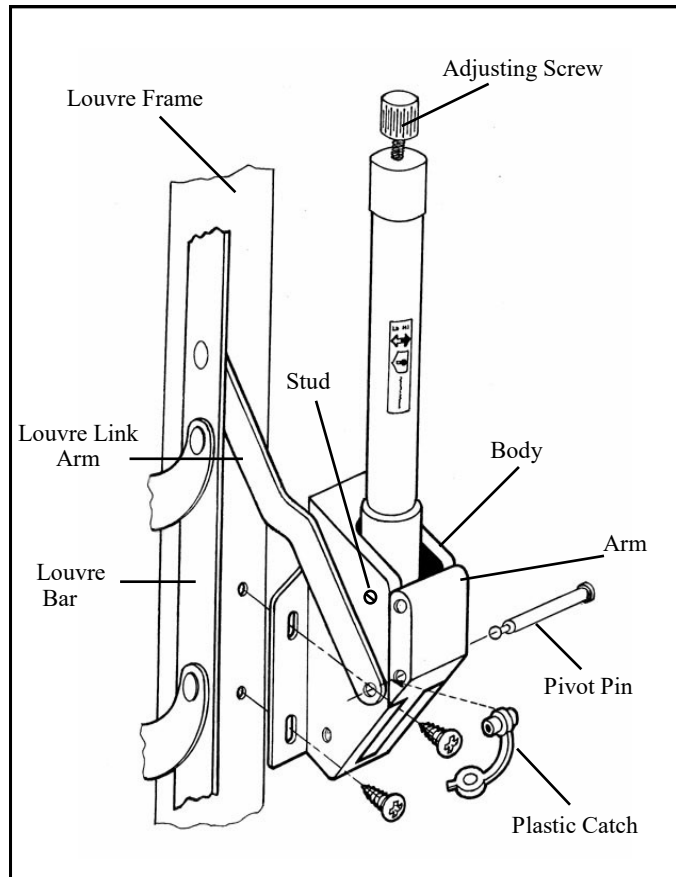


INSTRUCTIONS FOR FITTING LOUVRE VENT AND THERMOFOR REGAL AUTOMATIC LOUVRE OPENER



INSTALLATION/OPERATING INSTRUCTIONS

Screw the left and right hand louvre frames to the timber glazing bars of the greenhouse utilising the holes in each end of the frames.

Loosely fit the adjusting screw into the end of the cylinder. DO NOT tighten at this stage. Assemble the cylinder to the bracket by feeding the piston rod into the end of the cylinder, pushing firmly into place and securing to the body by means of the threaded studs provided. It may be necessary to cool the cylinder before fitting.

If not already fitted insert the pivot pin through the lower hole in the arm and push on plastic catch. Fit the link arm over the plastic catch and push the top half of the catch firmly on the ball of the pin.

Lay the louvre control unit against the louvre frame. Push up on the body to FULLY CLOSE THE LOUVRE, and bring the slots in the opener body in line with the holes in the louvre frame.

Using the screws provided, loosely screw the unit to the louvre frame. Push upwards until the louvre is fully closed. Tighten the screws.

ADJUSTMENT

After allowing the cylinder to reach the temperature at which you require the louvre to start opening operate the louvre manually by pulling down on the arm to remove the pressure and firmly turn the adjusting screw in the direction of the 'LO' arrow (clockwise) until the unit begins to open the louvre without manual assistance. Any rise in greenhouse temperature will now cause the louvre to open wider. Further adjustment may be necessary in which case repeat the process.

By turning the adjusting screw in the direction of the 'LO' arrow (clockwise) the louvre starts opening at a lower temperature. If the adjusting screw is turned in the direction of the 'HI' arrow (anti-clockwise) the louvre will not open until a higher temperature is reached.

PLEASE NOTE ADJUSTMENT CANNOT BE MADE WITHOUT

Patents: U.K. 1562431 1592126 0017357 U.S.A. 4140017 4450687

OPERATING THE UNIT MANUALLY BY PULLING DOWN ON THE ARM TO RELIEVE THE RETURN SPRING PRESSURE.

As the cylinder is so positioned to also allow it to sense the effects of any chilling air from outside it will automatically react to this and adjust the window accordingly, giving added protection to your plants.

MANUAL OVERRIDE: If you wish to open or close the louvre manually remove the top half of the plastic catch and carefully remove the link arm from the pivot pin. Providing you do not move the unit or the adjusting knob the unit will operate at your chosen temperature when reconnected.

PLEASE NOTE

Do not heat to more than 50°C (122°F)
Do not apply excessive loads by locking or covering louvre
Do not attempt to dismantle the cylinder

TECHNICAL INFORMATION

Opening temperature range adjustable between 15°C and 25°C (59°F and 77°F)

GUARANTEE

Provided the autovent has been correctly fitted in accordance with these instructions it carries a two year guarantee from date of purchase. Should it fail to operate during this period please return either the complete unit or defective part to the address shown on these instructions.



Thermofor
TGP Ltd
Blythe Park
Cresswell
Stoke on Trent
ST11 9RD
UK
+44 1782 385400